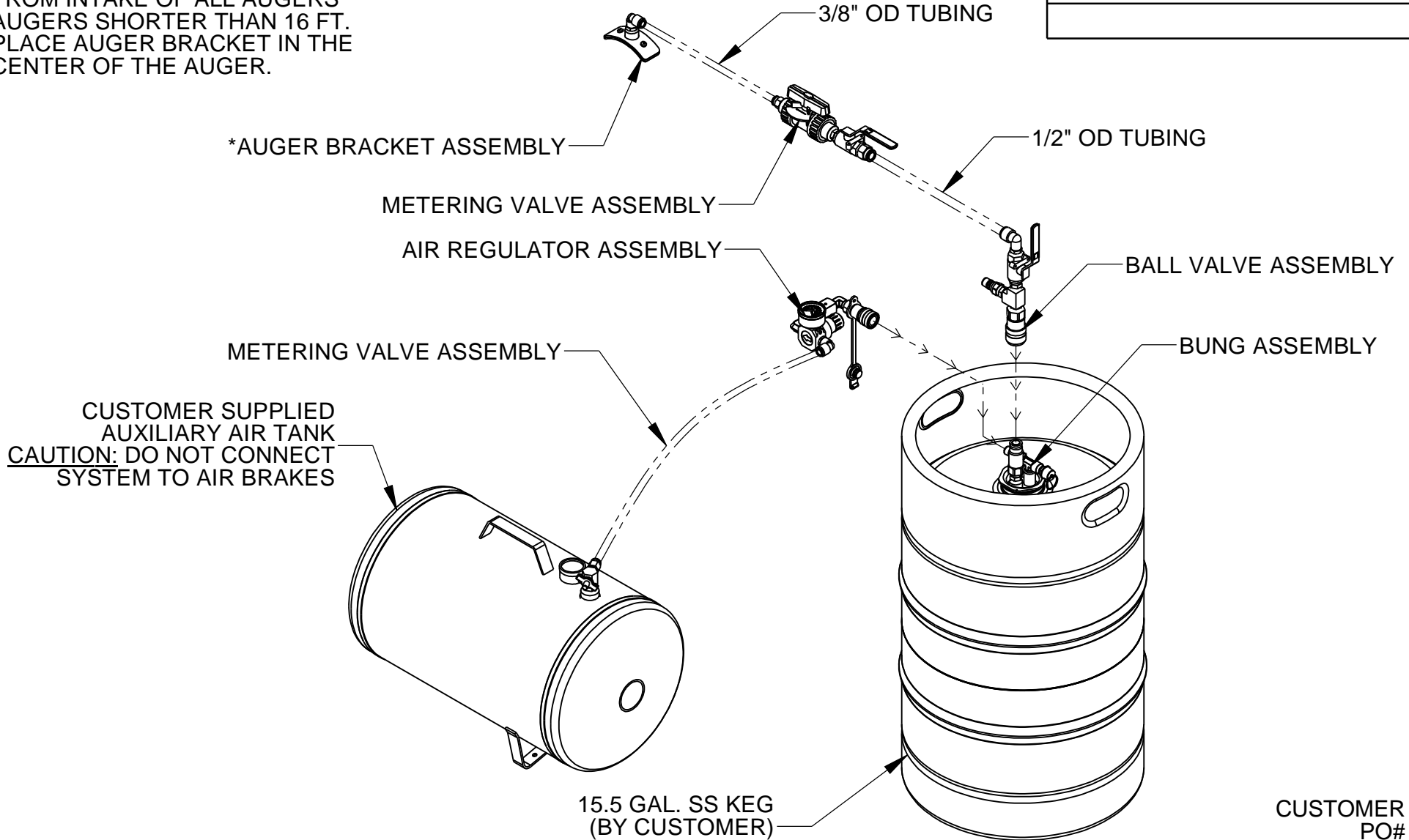



**\*NOTE:**

MOUNT AUGER BRACKET 8 FT. UP  
FROM INTAKE OF ALL AUGERS  
AUGERS SHORTER THAN 16 FT.  
PLACE AUGER BRACKET IN THE  
CENTER OF THE AUGER.

REVISIONS



CUSTOMER  
PO#  
(-) UNITS REQ'D

ASSUMED SYMMETRY OF PARTS IS USED, UNLESS OTHERWISE DIMENSIONED  1 PLACE (X) ± .060" TOLERANCES- 2 PLACE (XX) ± .015" UNLESS OTHERWISE NOTED 3 PLACE (XXX) ± .005" FRACTIONS ±1/32" 4 PLACE (XXXX) ± .0005" ANGLES ±1/2°	MFG. APPROVAL X	DATE X	DRAWN BY SRS	DATE 12/19/05	<b>Gustafson</b>  www.gustafson.com
	SCALE 1:9	REDRAWN BY -	CHECKED BY GAR	DATE 08/17/06	
THIS DRAWING IS BAYER CROPSCIENCE PROPERTY FOR USE WITH GUSTAFSON EQUIPMENT ONLY. ALL DESIGN AND INVENTION RIGHTS.	TITLE <b>G.A.P. SYSTEM</b>			PART NUMBER <b>413</b>	REVISION -