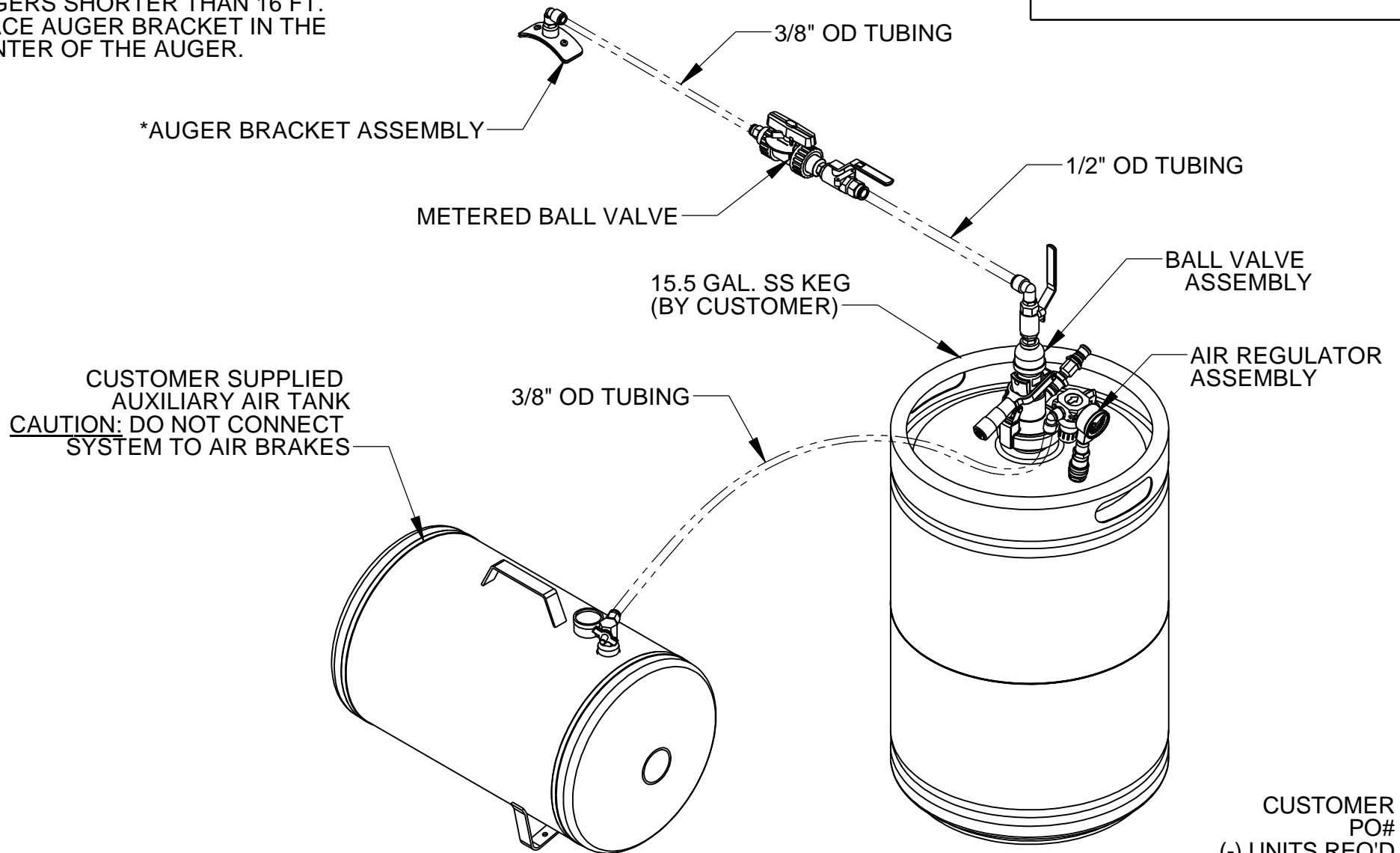



***NOTE:**
 MOUNT AUGER BRACKET 8 FT. UP
 FROM INTAKE OF ALL AUGERS
 AUGERS SHORTER THAN 16 FT.
 PLACE AUGER BRACKET IN THE
 CENTER OF THE AUGER.

REVISIONS



CUSTOMER
 PO#
 (-) UNITS REQ'D

ASSUMED SYMMETRY OF PARTS IS USED, UNLESS OTHERWISE DIMENSIONED 1 PLACE (X) ± .060" TOLERANCES- 2 PLACE (XX) ± .015" UNLESS OTHERWISE NOTED 3 PLACE (XXX) ± .005" FRACTIONS ± 1/32" 4 PLACE (XXXX) ± .0005" ANGLES ± 1/2°	MFG. APPROVAL	DATE	DRAWN BY SRS	DATE 12/8/05	 www.gustafson.com
	SCALE 1:8	REDRAWN BY	CHECKED BY GAR	DATE 03-30-06	
THIS DRAWING IS BAYER CROPSCIENCE PROPERTY FOR USE WITH GUSTAFSON EQUIPMENT ONLY. ALL DESIGN AND INVENTION RIGHTS.	TITLE MICROMATIC AIR SYSTEM w/ KEG			PART NUMBER 418	REVISION -